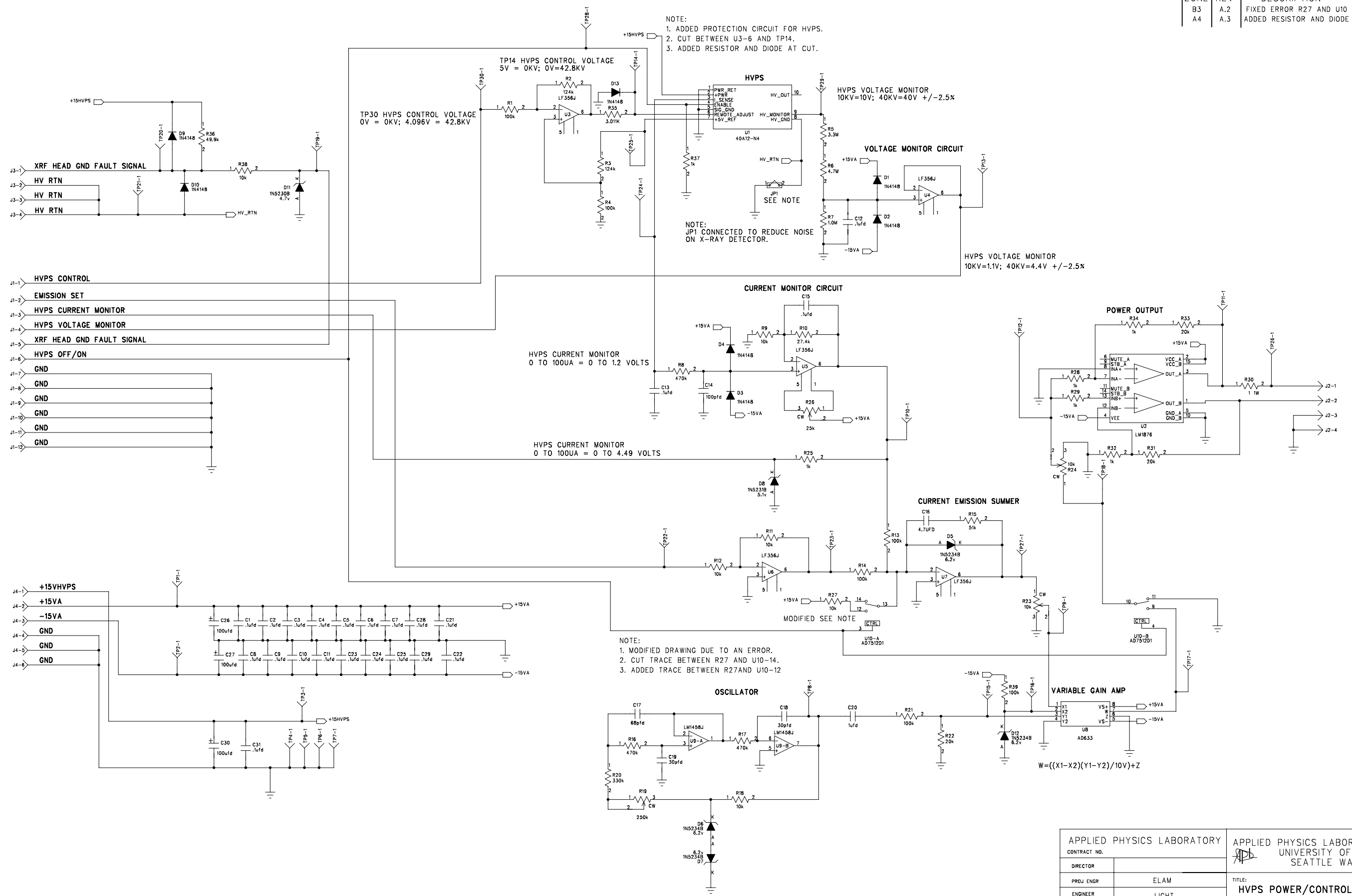


REVISIONS				
ZONE	REV	DESCRIPTION	DATE:	APPROVED
B3	A.2	FIXED ERROR R27 AND U10	5/4/07	PLS
A4	A.3	ADDED RESISTOR AND DIODE	6/11/07	PLS



APPLIED PHYSICS LABORATORY CONTRACT NO.		APPLIED PHYSICS LABORATORY UNIVERSITY OF WASHINGTON SEATTLE WASHINGTON	
DIRECTOR		TITLE:	HVPS POWER/CONTROL BRD A0A2A1, SCHEMATIC, XRF CONTROL UNIT A0A2, BOREHOLE XRF PROTOTYPE
PROJ ENGR	ELAM	SIZE:	CODE: 98514
ENGINEER	LIGHT	DATE:	27 JULY 2007
CHECKED:		APPLICATION DATA	DRAWING NO.
DRAWN:	SABIN	NEXT ASSY.	USED ON