

6 5 4 3 2 1

REVISIONS				
ZONE	REV	DESCRIPTION	DATE	APPROVED

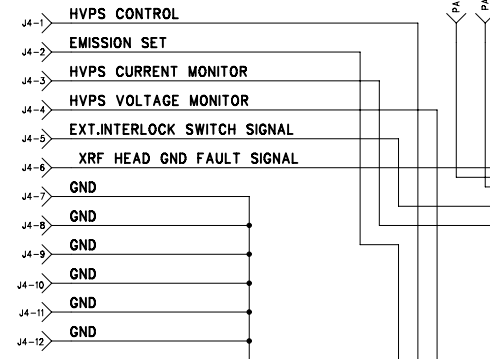
D

C

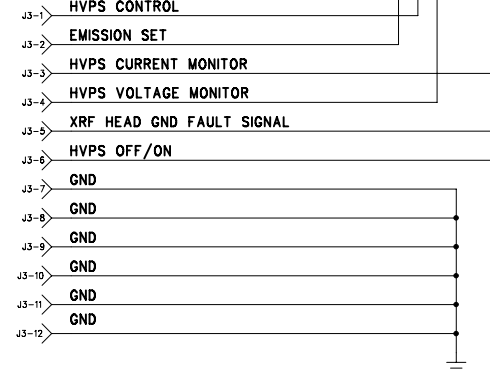
B

A

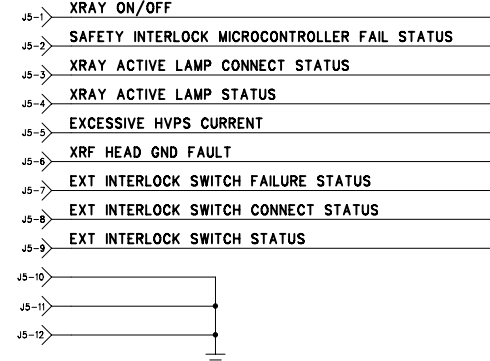
**ANALOG IN/OUT**



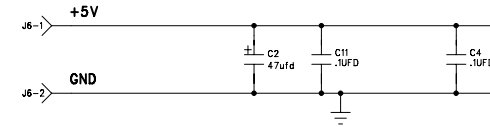
**ANALOG IN /OUT, XRAY ON/OFF, HEAD GROUND DETECT**



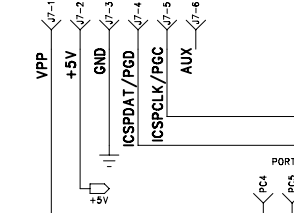
**DIGITAL STATUS IN/OUT**



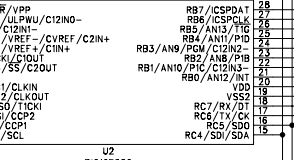
**POWER**



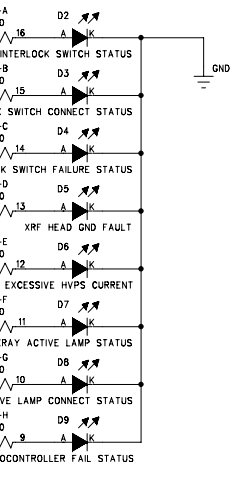
**CONTROLLER PROGRAMMING PINS**



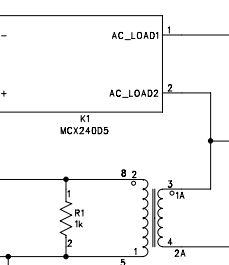
**SAFETY INTERLOCK MICROCONTROLLER**



**STATUS LEADS**



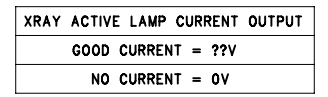
**XRAY ACTIVE LAMP RELAY**



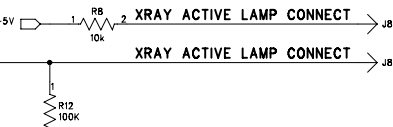
**CURRENT MONITOR XFER**



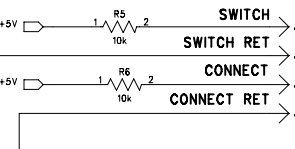
**CURRENT MONITOR RMS TO DC CONVERTER**



**XRAY ACTIVE LAMP CONNECT SENSOR**

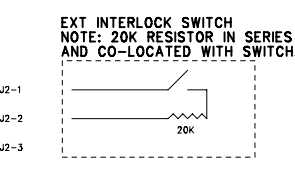


**EXTERNAL INTERLOCK SWITCH**



**XRAY ACTIVE LAMP CONNECT STATUS**

NO CONNECTION J1-4 = 0v
CONNECTION J1-4 = 5V

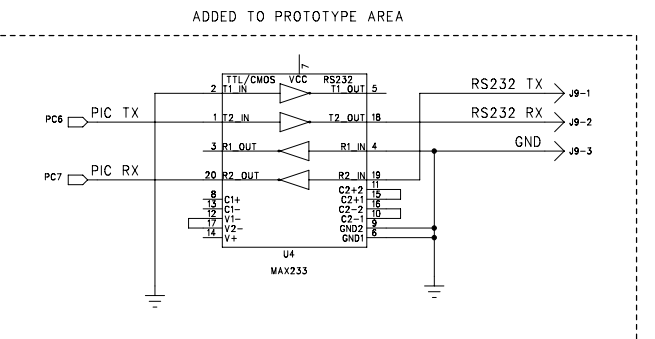


**EXT INTERLOCK SWITCH OUTPUT**

SWITCH OPEN J2-2 = 0v
SWITCH CLOSED J2-2 = 2.0v
SWITCH CABLE SHORTED J2-2 = 3.3v

**EXT INTERLOCK SWITCH CONNECT STATUS**

NO CONNECTION J2-4 = 0v
CONNECTION J2-4 = 5v



APPLIED PHYSICS LABORATORY		APPLIED PHYSICS LABORATORY	
CONTRACT NO.		UNIVERSITY OF WASHINGTON	
SEATTLE WASHINGTON		TITLE:	
PROJECT ENGR	ELAM	SAFETY INTERLOCK/CONTROL BRD, AOA3A5, SCHEMATIC, XRF INTERFACE UNIT A0A3, BOREHOLE XRF PROTOTYPE	
ENGINEER	LIGHT	SIZE:	CODE:
CHECKED:		98514	
DRAWN:	SABIN	DATE:	26 APR 2007
APPLICATION DATA		DRAWING NO.:	
NEXT ASSY.	USED ON		